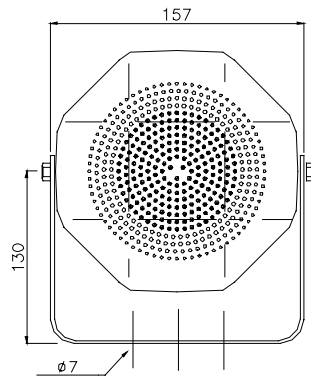
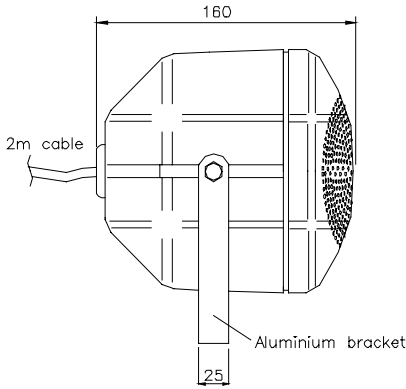
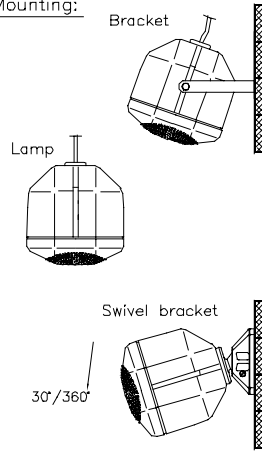


Dimensions:



Mounting:



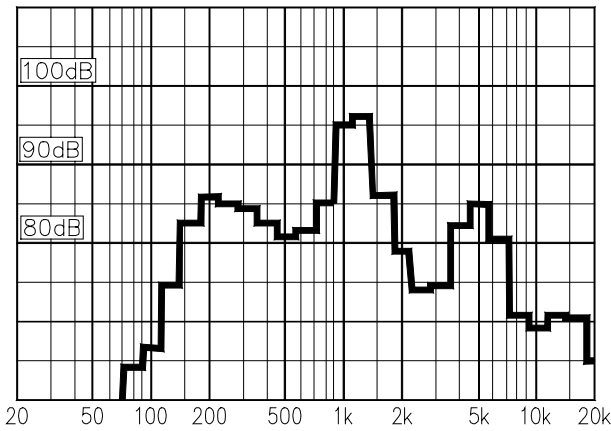
Transformer:  
50 or 100 Volt line

Primary nominal  
tappings:

1 : 2	6,0W
2 : 3	3,0W
3 : 4	1,5W
1 : 3	1,0W
2 : 4	0,5W
1 : 4	0,3W

1 = Red, 2 = Yellow,  
3 = Green, 4 = Blue

1W/1m Pink Noise 1/3 octave bands



Material / Colour..... Polyamid / White (RAL 7035)  
 Mounting ..... By cable as pendant / Bracket / Swivel bracket  
 Termination ..... Cable, 2m  
 Weight ..... 1,6 kg  
 IP-rating ..... 56  
 Max. / min. amb. temp ..... 90°C / -20°C  
 Standard version ..... 100 V transformer  
 Rated / max. power ..... 6 W / 15 W  
 SPL 1W/1m ..... 84 dB  
 SPL rated power ..... 91 dB  
 Effective freq. range ..... 125 – 7500 Hz  
 Dispersion (-6dB) 1kHz / 4kHz ..... 200° / 95°  
 Directivity factor, Q.....

**Installation, Operation and Maintenance Procedures**

- How to mount the loudspeaker:
  - Lamp-version (L): Ensure that the cable is fastened securely to the ceiling.
  - Bracket-version (LB): Screw the bracket to wall or ceiling with screws.
  - Swivel bracket version (LS): Read mounting instructions on carton box.
- To change the position of the loudspeaker:
  - Bracket version (LB): Adjust the bracket (by loosening / tightening the screws) as required.
  - Swivel bracket version (LS): Adjust the swivel base (by loosening / tightening the screws) as required.
- For optimum performance, always use the correct voltage / power and operate within the frequency limits as stated.
- PS-6CR (T) is designed for clean room applications.
- Take care when loudspeaker is energized. (100V)
- This loudspeaker is supplied with a 2 year warranty against defective workmanship.

Most of our products are available in different colours, impedances and power ratings.

