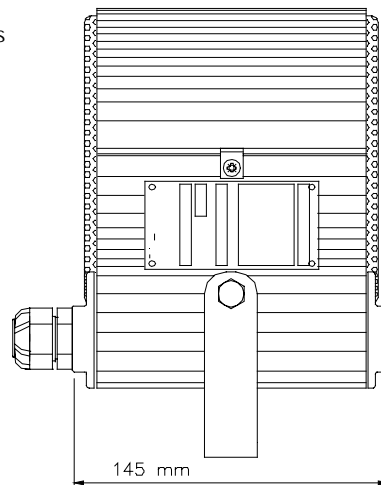


All outside nuts and screws in stainless steel

M20 cable gland  
Max / min. cable diameter:  
13 mm / 8 mm



Transformer:  
100 Volt line

Primary nominal  
tappings:

1 : 2	6,0 W
2 : 3	3,0 W
3 : 4	1,5 W
1 : 3	1,0 W
1 : 3	0,5 W
1 : 4	0,4 W

1 = Red, 2 = Yellow  
3 = Green, 4 = Blue

Certified by / Certification code / Number: NEMKO / Ex des IIB+H2 T6 / Ex 93Y094

1W/1m Pink Noise 1/3 octave bands



Material / Colour.....Aluminium / anodized  
Mounting ..... Bracket  
Termination ..... e-chamber, screw terminals  
Weight ..... 4,0 kg  
IP-rating ..... 53  
Max. / min. amb. temp ..... 40°C / -20°C  
Standard version ..... 100 V transformer  
Rated / max. power ..... 6 W / 6 W  
SPL 1W/1m..... 90 dB  
SPL rated power ..... 97 dB  
Effective freq. range ..... 160 – 20000 Hz  
Dispersion (-6dB) 1kHz / 4kHz ..... 180° / 90°  
Directivity factor, Q.....

## Installation, Operation and Maintenance Procedures

- When mounting the loudspeaker please ensure that it is re-assembled in the same manner in which it was received.
- For optimum performance, always use the correct voltage / power and operate within the frequency limits as stated.
- Use only certified/specified cable glands and blanking plugs.
- Enter the e-chamber by loosening the screws on the lid.
- Do not open loudspeaker when energized.
- Fasten lid screws with a torque of 2 - 3 Nm.
- Ex-loudspeakers must be earthed correctly using the specially marked screws.
- This loudspeaker is supplied with a 2 year warranty against defective workmanship.

Most of our products are available in different colours, impedances and power ratings.

