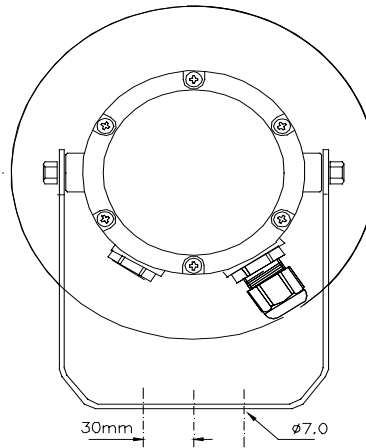


Bracket and all outside nuts and screws in stainless steel.



Transformer:
100 Volt line

From speaker:
Yellow to black
Primary nominal tapings:
1 : 2 20,0 W
1 : 3 10,0 W
1 : 4 5,0 W

From speaker:
Yellow to white
Primary nominal tapings:
1 : 2 2,5 W
1 : 3 1,2 W
1 : 4 0,6 W

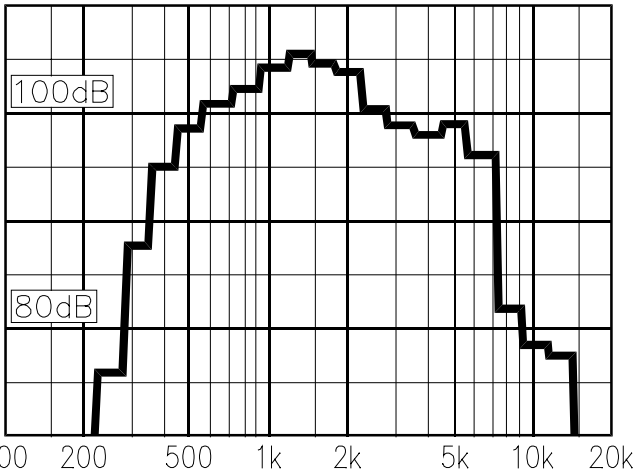
1 = Red, 2 = Yellow
3 = Green, 4 = Blue

Certified by / Certification code / Number: NEMKO / EEx de IIB+H₂ T6 / 01 ATEX 046
 Certified by / Certification code / Number: NEMKO / EEx de IIC T6 / 01 ATEX 046



1W/1m Pink Noise 1/3 octave bands
 (Curve shows H-60 EExeN IIB+H₂ version)

IIB IIC



Material / Color	Aluminium alloy / RAL 7031	
Mounting	Bracket	
Termination	e-chamber, screw terminals	
Weight	5,0 kg	
IP-rating	67	
Max. / min. amb. temp	40°C / -20°C	
Standard version	100 V transformer	
Rated / max. power	20 W / 20 W	
SPL 1W/1m.....	106 dB	101 dB
SPL rated power	117 dB	114 dB
Effective freq. range	370 - 6000 Hz	400-5000
Dispersion (-6dB) 1kHz / 4kHz	125° / 35°	105° / 35°
Directivity factor, Q.....		

Installation, Operation and Maintenance Procedures

- When mounting the loudspeaker please ensure that it is re-assembled in the same manner in which it was received.
- To change the position of the loudspeaker please adjust the bracket (by loosening / tightening the screws) as required.
- For optimum performance, always use the correct voltage / power and operate within the frequency limits as stated.
- Use only certified/specified cable glands and blanking plugs.
- Do not open loudspeaker when energized.
- The loudspeaker should be checked on a regular basis to avoid any build up of debris.
- Fasten lid screws with a torque of 2 - 3 Nm.
- Ex-loudspeakers should be earthed correctly using the specially marked screws.
- This loudspeaker is supplied with a 2-year warranty against defective workmanship.

Most of our products are available in different colors, impedances and power ratings.

