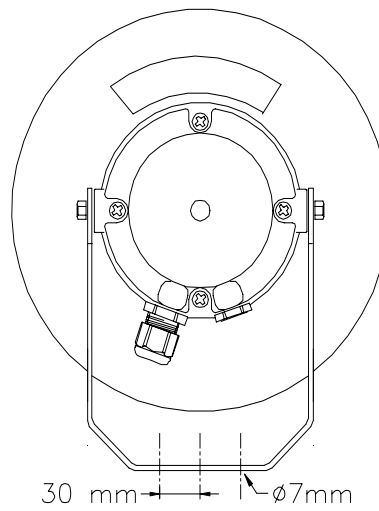
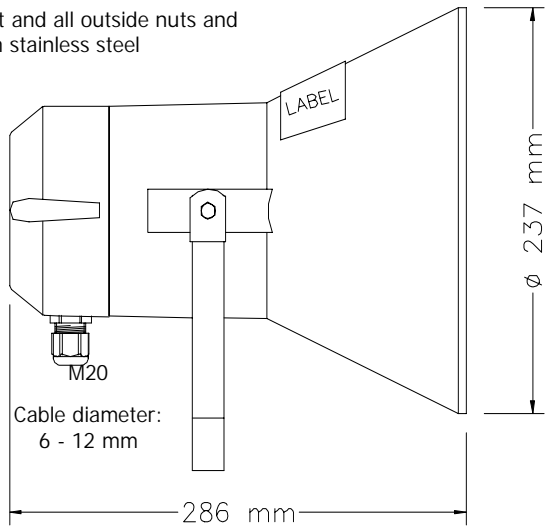


Bracket and all outside nuts and bolts in stainless steel



50/100 volt Combined Transformer:

Primary Connections:
6 : 7 50 Volt line
6 : 9 100 Volt line

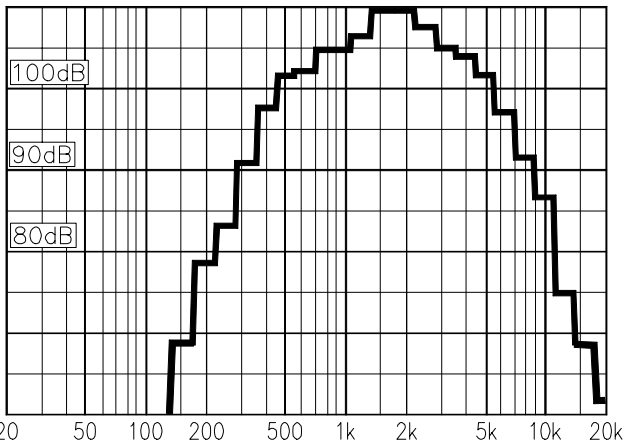
Secondary nominal tapings:

1 : 4 20,0 W
1 : 3 10,0 W
2 : 4 6,0 W
1 : 2 5,0 W
3 : 4 2,0 W
2 : 3 1,5 W

5 = White, 6 = Green
9 = Red

Certified by / Certification code / Number: NEMKO / Ex nC II T6 / Ex 95Y005 Zone 2

1W/1m Pink Noise 1/3 octave bands



Material / Colour..... Polyamide/ RAL 7035
Mounting Bracket
Termination Internal screw terminal
Weight 2,3 kg
IP-rating..... 67
Max. / min. amb. temp 60 °C / -20 °C
Standard version 100 V / 70 V / 50 V transformer
Rated / max. power 20 W / 20 W
SPL 1W/1m..... 110 dB
SPL rated power..... 122 dB
Effective freq. range 310 – 8000 Hz
Dispersion (-6dB) 1kHz / 4kHz..... 115° / 30°
Directivity factor, Q (2kHz) 9,3

Installation, Operation and Maintenance Procedures

- When mounting the loudspeaker please ensure that it is re-assembled in the same manner in which it was received.
- To change the position of the loudspeaker please adjust the bracket (by loosening / tightening the screws) as required.
- For optimum performance, always use the correct voltage / power and operate within the frequency limits as stated.
- HP-20 is designed for Zone 2 environment.
- Do not open loudspeaker when energized.
- Fasten lid with a torque of 2 - 3 Nm.
- This loudspeaker is supplied with a 2 year warranty against defective workmanship.

Most of our products are available in different colors, impedances and power ratings.

