



# DNH<sup>AS</sup>

N-3770 Kragerø  
NORWAY

Phone: ..... (47) 35 98 56 00

Fax: ..... (47) 35 98 56 10

E-mail: ..... dnh@dnh.no

Web-site: ..... www.dnh.no

ISO 9001 CERTIFIED

## HS-15 EExdN(T)

DNH WW Ltd. Phone: ..... (44) 1908 275 000  
England Fax: ..... (44) 1908 275 100

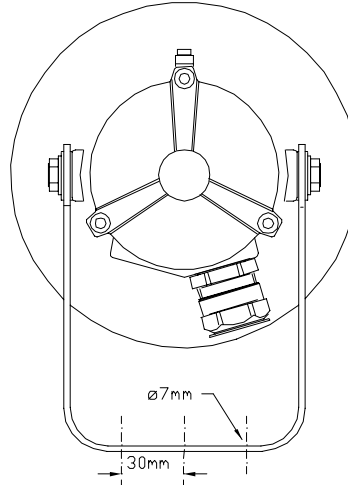
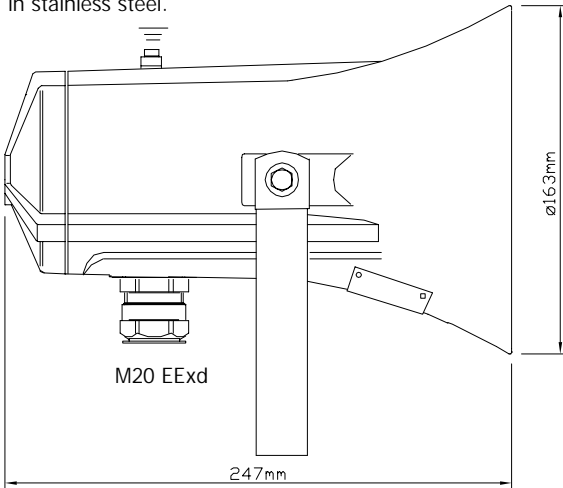
E-mail: ..... dnh@dnh.co.uk

DNH GmbH Phone: ..... (49) 040 6569 30-0

Germany Fax: ..... (49) 040 6569 30-30

E-mail: ..... dnh@dnh.de

Bracket and all outside nuts and screws  
in stainless steel.




Transformer:  
100 Volt line

Prim nominal tapings:

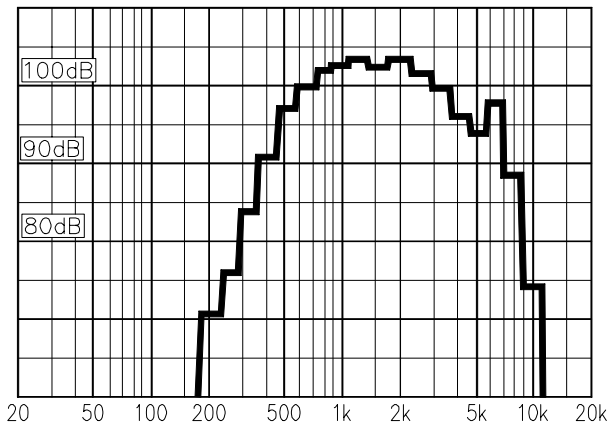
1 : 2	15 W
2 : 3	7,5 W
3 : 4	4,0 W
1 : 3	2,7 W
2 : 4	1,3 W
1 : 4	0,8 W

1 = Red, 2 = Yellow  
3 = Green, 4 = Blue

Certified by / Certification code / Number:

NEMKO / EEx d IIB+H<sub>2</sub> T6 / 98 ATEX 104  II 2 G

1W/1m Pink Noise 1/3 octave bands



Material / Colour..... Aluminum alloy (LM-6) / RAL 7031  
 Mounting ..... Bracket  
 Termination ..... d-chamber, screw terminals  
 Weight ..... 2,8 kg  
 IP-rating ..... 67  
 Max. / min. amb. temp ..... 40 °C / -20 °C  
 Standard version ..... 100 V transformer  
 Rated / max. power ..... 15 W / 15 W  
 SPL 1W/1m..... 104 dB  
 SPL rated power ..... 116 dB  
 Effective freq. range ..... 410 – 7000 Hz  
 Dispersion (-6dB) 1kHz / 4kHz ..... 140° / 40°  
 Directivity factor, Q.....

### Installation, Operation and Maintenance Procedures

- When mounting the loudspeaker please ensure that it is re-assembled in the same manner in which it was received.
- To change the position of the loudspeaker please adjust the bracket (by loosening / tightening the screws) as required.
- For optimum performance, always use the correct voltage / power and operate within the frequency limits as stated.
- Use only certified/specified cable glands and blanking plugs.
- Do not open loudspeaker when energized.
- The loudspeaker should be checked on a regular basis to avoid any build up of debris.
- Fasten lid screws with a torque of 2 - 3 Nm.
- Ex-loudspeakers must be earthed correctly using the specially marked screws.
- This loudspeaker is supplied with a 2 year warranty against defective workmanship.

Most of our products are available in different colors, impedances and power ratings.



DNH reserves the right to alter specifications without notice.

Rev. 04.11.2002