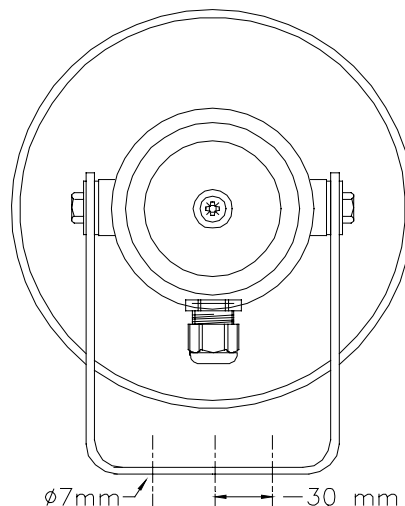
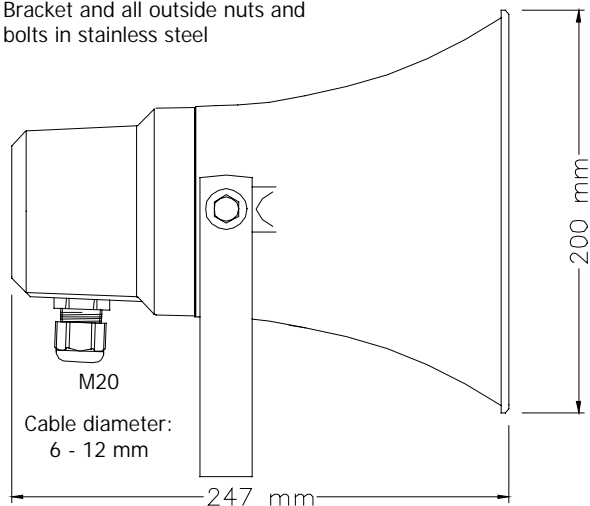


Bracket and all outside nuts and bolts in stainless steel



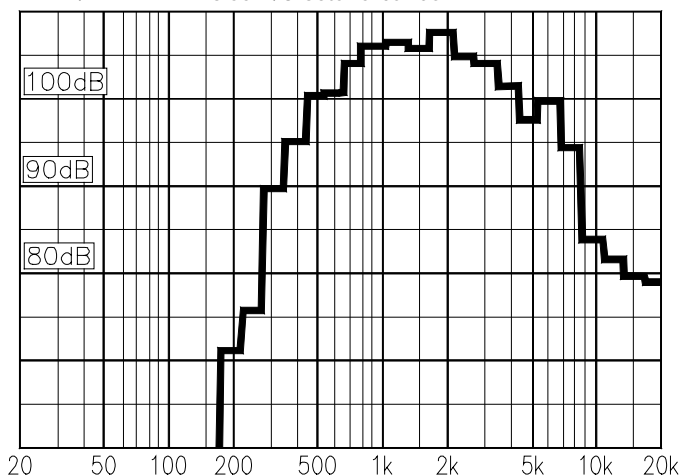
50/100 volt Combined Transformer:

Primary connections:
 5 : 6 50 Volt line
 5 : 8 100 Volt line

Secondary nominal tapings:

1 : 4 15,0 W
 1 : 3 7,5 W
 2 : 4 5,0 W
 1 : 2 4,0 W
 3 : 4 2,0 W
 2 : 3 0,8 W

1W/1m Pink Noise 1/3 octave bands



Material / Colour ABS / RAL 7035
 Mounting Bracket
 Termination Inside screw connections
 Weight 1,7 kg
 IP-rating 56
 Max. / min. amb. temp 90 °C / -50 °C
 Standard version 50 V / 100 V transformer
 Rated / max. power 15 W / 20 W
 SPL 1W/1m 108 dB
 SPL rated power 118 dB
 Effective freq. range 330 – 8000 Hz
 Dispersion (-6dB) 1kHz / 4kHz 130° / 35°
 Directivity factor, Q (2kHz) 8,3

Installation, Operation and Maintenance Procedures

- When mounting the loudspeaker please ensure that it is re-assembled in the same manner in which it was received.
- To change the position of the loudspeaker please adjust the bracket (by loosening / tightening the screws) as required.
- For optimum performance, always use the correct voltage / power and operate within the frequency limits as stated.
- Do not open loudspeaker when energized.
- Fasten lid with a torque of 1 - 2 Nm.
- This loudspeaker is supplied with a 2 year warranty against defective workmanship.

Most of our products are available in different colors, impedances and power ratings.

