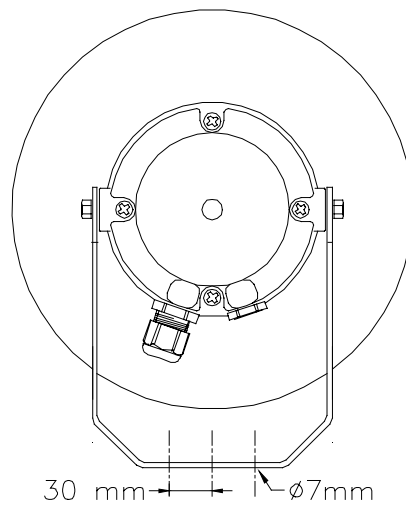
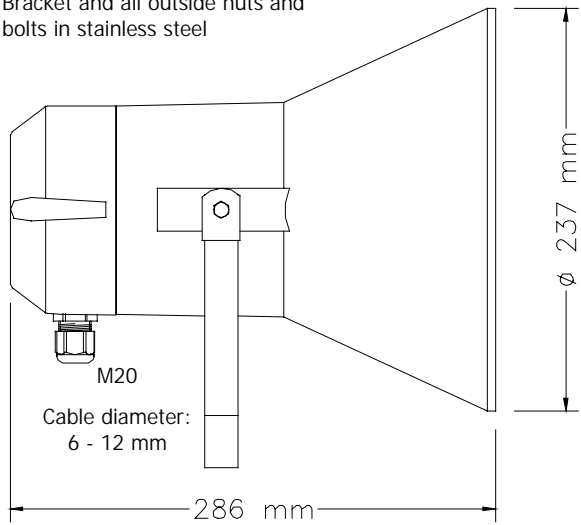


Bracket and all outside nuts and bolts in stainless steel



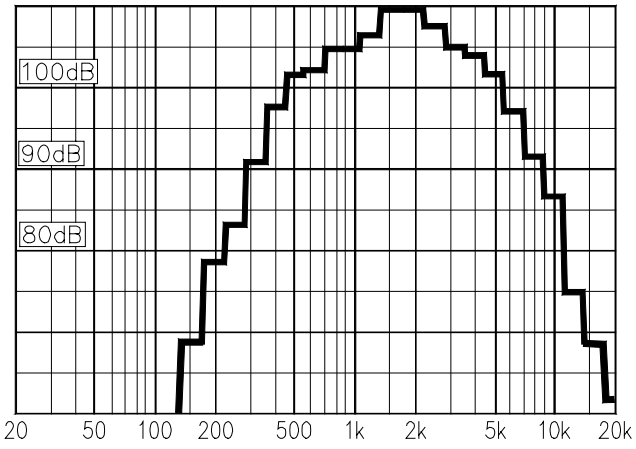
50/100 volt Combined Transformer:

Primary connections:  
 6 : 7 50 Volt line  
 6 : 9 100 Volt line

Secondary nominal tapings:  
 1 : 4 30,0 W  
 1 : 3 15,0 W  
 2 : 4 10,0 W  
 1 : 2 7,5 W  
 3 : 4 3,5 W  
 2 : 3 2,0 W

6 = White, 7 = Green,  
 9 = Red

1W/1m Pink Noise 1/3 octave bands



Material / Colour..... Polyamide / RAL 7035  
 Mounting ..... Bracket  
 Termination ..... Internal screw connections  
 Weight ..... 2,3 kg  
 IP-rating ..... 67  
 Max. / min. amb. temp ..... 150 °C / -50 °C  
 Standard version ..... 50 V / 100 V transformer  
 Rated / max. power ..... 30 W / 40 W  
 SPL 1W/1m..... 110 dB  
 SPL rated power ..... 124 dB  
 Effective freq. range ..... 310 – 8000 Hz  
 Dispersion (-6dB) 1kHz / 4kHz ..... 115° / 30°  
 Directivity factor, Q (2kHz) ..... 9,3

**Installation, Operation and Maintenance Procedures**

- When mounting the loudspeaker please ensure that it is re-assembled in the same manner in which it was received.
- To change the position of the loudspeaker please adjust the bracket (by loosening / tightening the screws) as required.
- For optimum performance, always use the correct voltage / power and operate within the frequency limits as stated.
- Do not open loudspeaker when energized.
- Fasten lid with a torque of 2 - 3 Nm.
- This loudspeaker is supplied with a 2 year warranty against defective workmanship.

Most of our products are available in different colors, impedances and power ratings.

