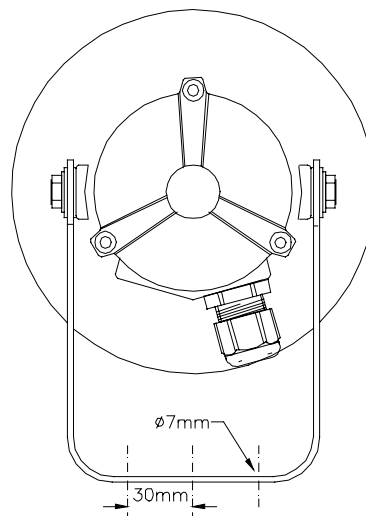
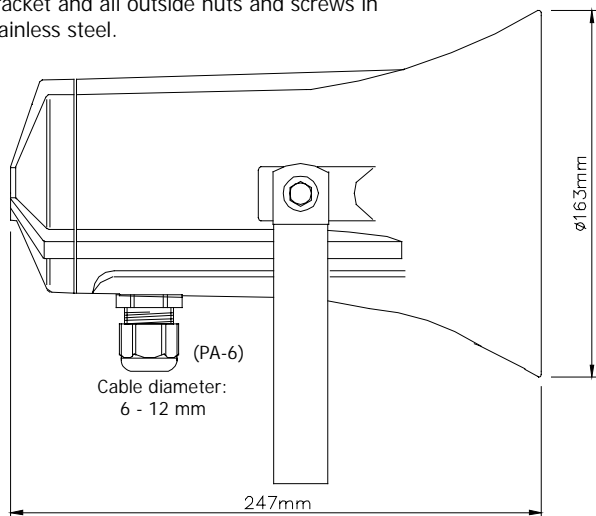


Bracket and all outside nuts and screws in stainless steel.



50/100 volt Combined Transformer

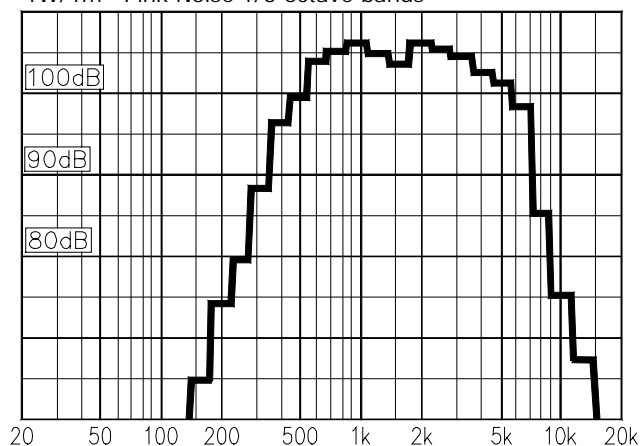
Primary connection:  
5 : 6 50 Volt line  
5 : 8 100 Volt line

Secondary nominal tapings:

1 : 4 15,0 W  
1 : 3 7,5 W  
2 : 4 5,0 W  
1 : 2 4,0 W  
3 : 4 2,0 W  
2 : 3 0,8 W

5 = White, 8 = Red  
50V : Move red wire from 8 to 6

1W/1m Pink Noise 1/3 octave bands



Material / Colour.....Aluminium alloy (LM-6) / RAL 7031  
Mounting ..... Bracket  
Termination ..... Inside screw terminals  
Weight ..... 2,5 kg  
IP-rating ..... 67  
Max. / min. amb. temp ..... 150°C / -50°C  
Standard version ..... 50 V / 100 V transformer  
Rated / max. power ..... 15 W / 20 W  
SPL 1W/1m..... 107 dB  
SPL rated power ..... 118 dB  
Effective freq. range ..... 350 – 7500 Hz  
Dispersion (-6dB) 1kHz / 4kHz ..... 150° / 40°  
Directivity factor, Q.....

## Installation, Operation and Maintenance Procedures

- When mounting the loudspeaker please ensure that it is re-assembled in the same manner in which it was received.
- To change the position of the loudspeaker please adjust the bracket (by loosening / tightening the screws) as required.
- For optimum performance, always use the correct voltage / power and operate within the frequency limits as stated.
- Do not open loudspeaker when energized.
- The loudspeaker should be checked on a regular basis to avoid any build up of debris.
- Fasten lid with a torque of 2 - 3 Nm.
- This loudspeaker is supplied with a 2 year warranty against defective workmanship.

Most of our products are available in different colors, impedances and power ratings.

