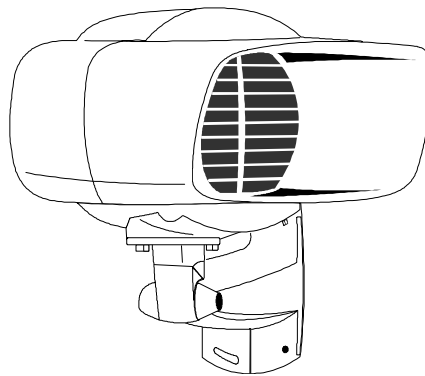
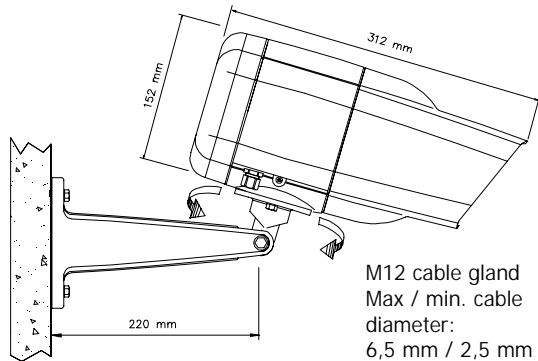


All outside nuts and screws in stainless steel.



Optional with stainless steel bracket

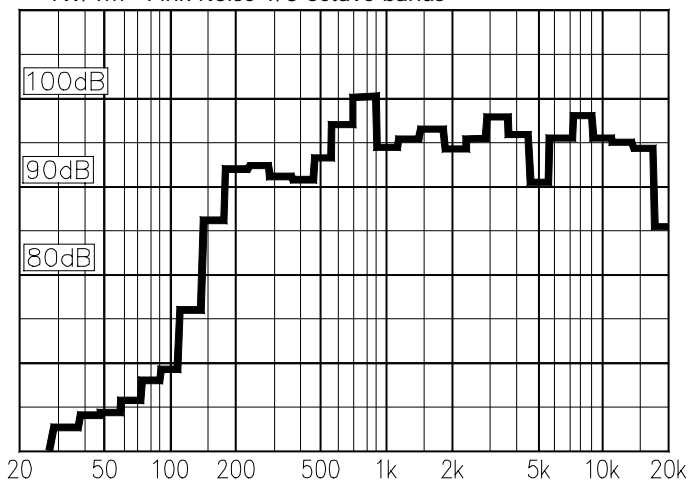
50/100 Volt Combined Transformer:

5 : 6 100 Volt line  
5 : 8 50 Volt line

Secondary nominal tappings:

1 : 4 10,0 W  
1 : 3 5,0 W  
2 : 4 3,5 W  
1 : 2 2,5 W  
3 : 4 1,5 W  
2 : 3 0,8 W

1W/1m Pink Noise 1/3 octave bands



Material / Colour..... Polyamide / RAL 7035  
Mounting ..... Polyamide Swivel Bracket  
Termination ..... Internal screw terminals  
Weight ..... 2,7 kg  
IP-rating ..... 55  
Max. / min. amb. temp ..... 150 °C / -40 °C  
Standard version ..... 100 V transformer  
Rated / max. power ..... 10 W / 15 W  
SPL 1W/1m..... 96 dB  
SPL rated power ..... 105 dB  
Effective freq. range ..... 150 – 20000 Hz  
Dispersion (-6dB) 1kHz / 4kHz ..... 110° / 40°  
Directivity factor, Q.....

## Installation, Operation and Maintenance Procedures

- When mounting the loudspeaker please ensure that it is re-assembled in the same manner in which it was received.
- Comes with a unique bracket system which allows multiple positioning options.
- For optimum performance, always use the correct voltage / power and operate within the frequency limits as stated.
- Do not open loudspeaker when energized.
- This loudspeaker is supplied with a 2 year warranty against defective workmanship.

Most of our products are available in different colors, impedances and power ratings.

