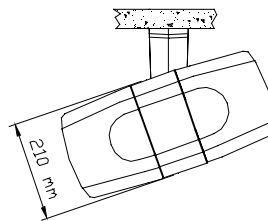
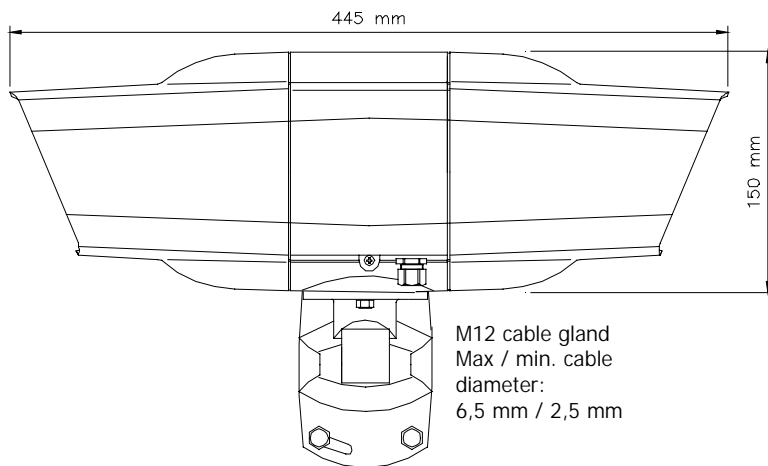


All outside nuts and screws in stainless steel.



Optional with stainless steel bracket

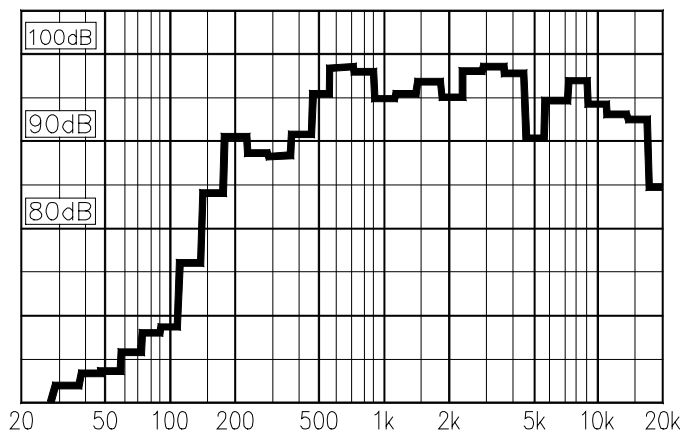
50/100 Volt Combined Transformer:

5 : 6 100 Volt line
5 : 8 50 Volt line

Secondary nominal tapings:

1 : 4 10,0 W
1 : 3 5,0 W
2 : 4 3,5 W
1 : 2 2,5 W
3 : 4 1,5 W
2 : 3 0,8 W

1W/1m Pink Noise 1/3 octave bands



Material / Colour..... Polyamide / RAL 7035
Mounting..... Polyamide Swivel Bracket
Termination..... Inside screw terminal
Weight..... 3,7 kg
IP-rating..... 55
Max. / min. amb. temp..... 150 °C / -40 °C
Standard version..... 50 V / 100 V transformer
Rated / max. power..... 10 W / 15 W
SPL 1W/1m..... 94 dB
SPL rated power..... 103 dB
Effective freq. range..... 150 – 20000 Hz
Dispersion (-6dB) 1kHz / 4kHz..... 110° / 40° (Bi-directional)
Directivity factor, Q.....

Installation, Operation and Maintenance Procedures

- When mounting the loudspeaker please ensure that it is re-assembled in the same manner in which it was received.
- Comes with a unique bracket system which allows multiple positioning options.
- For optimum performance, always use the correct voltage / power and operate within the frequency limits as stated.
- Do not open loudspeaker when energized.
- This loudspeaker is supplied with a 2 year warranty against defective workmanship.

Most of our products are available in different colors, impedances and power ratings.

