



# DNH<sup>AS</sup>

N-3770 Kragerø  
NORWAY

Phone: ..... (47) 35 98 56 00

Fax: ..... (47) 35 98 56 10

E-mail: ..... dnh@dnh.no

Web-site: ..... [www.dnh.no](http://www.dnh.no)

ISO 9001 CERTIFIED

## VES-360(T)

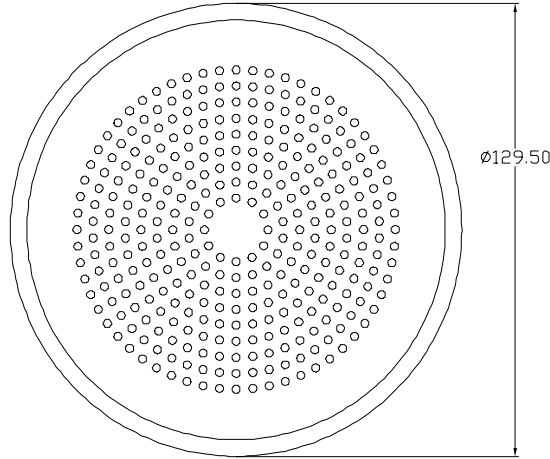
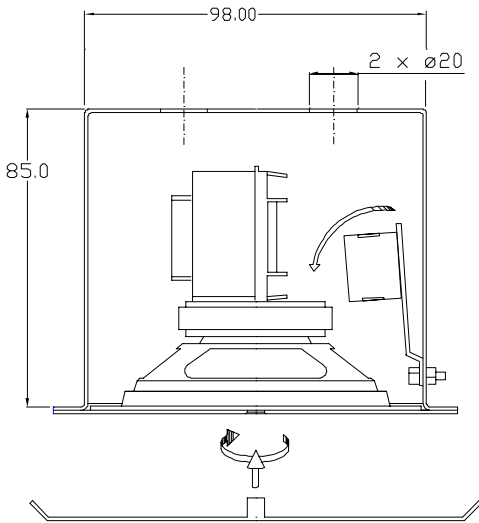
DNH WW Ltd. Phone: ..... (44) 1908 275 000  
England Fax: ..... (44) 1908 275 100

E-mail: ..... dnh@dnh.co.uk

DNH GmbH Phone: ..... (49) 040 6569 30-0

Germany Fax: ..... (49) 040 6569 30-30

E-mail: ..... dnh@dnh.de



Transformer:  
100 Volt line  
White : Black 100V

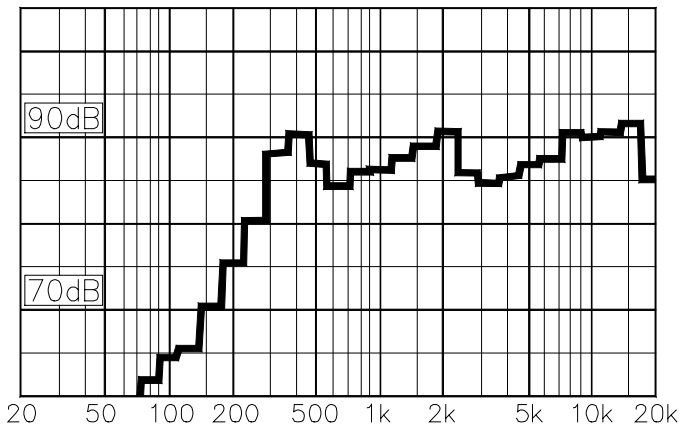
Secondary nominal  
tappings:

common : 4 6,0W  
common : 3 3,0W  
common : 2 1,5W

Acc. British Standard 5839

Rec. ceiling hole: ø 100 mm

1W/1m Pink Noise 1/3 octave bands



Material / Colour ..... Steel, aluminium / RAL9010  
Mounting ..... 4 (2 + 2) screws  
Termination ..... Ceramic terminals  
Weight ..... 0,6 kg  
IP-rating .....  
Max. / min. amb. temp ..... 120°C / -20°C  
Standard version ..... 100 V transformer  
Rated / max. power ..... 6 W / 8 W  
SPL 1W/1m ..... 88 dB  
SPL rated power ..... 95 dB  
Effective freq. range ..... 220 – 20000 Hz  
Dispersion (-6dB) 1kHz / 4kHz ..... ° / °  
Directivity factor, Q.....

### Installation, Operation and Maintenance Procedures

- Mount box to wall / ceiling with 2 screws. Connect to terminal. Install loudspeaker baffle to wall / ceiling by means of 2 screws. Screw loudspeaker grill into fixed position.
- For optimum performance, always use the correct voltage / power and operate within the frequency limits as stated.
- Take care when loudspeaker is energized (100 V).
- This loudspeaker is supplied with a 2 year warranty against defective workmanship.

Most of our products are available in different colours, impedances and power ratings.

